

Lithium Iron Phosphate (LiFePO4) Battery Specification

SLAUMXLI42-24(25.6V42AH)



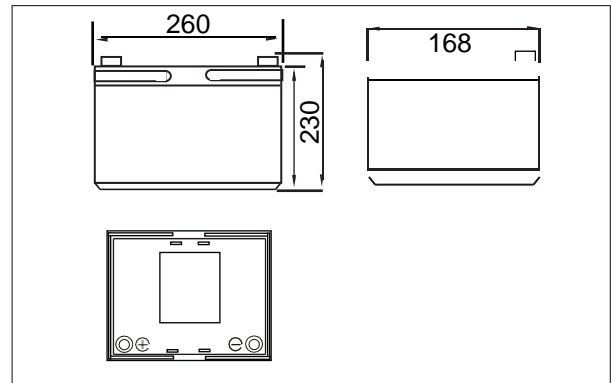
Specifications

Nominal Voltage		25.6V
Rated capacity (20 hour rate)		42Ah
Dimensions	Total Height	230mm (8.43inches)
	Height	230mm(8.43inches)
	Length	260mm (10.2inches)
	Width	168mm(6.65inches)
Weight Approx		10.0 Kg
Terminal		M8

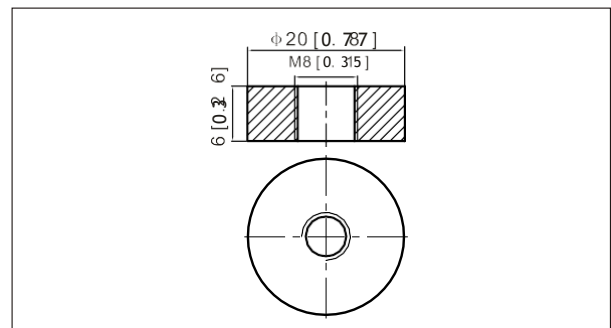
Characteristics

Capacity Retention	>80% at 28 days	
Cycle Life	>80% at 2000 Cycles	
1.5 hour discharge to 10.5V	9.0 A	
Internal Resistance	<80 mΩ	
Charge Characteristics	Charge Voltage	28.8±0.1V
	Charger Current	<40A
Discharge Characteristics	Continuous Current	50A
	Max. Pulse Current	150A(<5ms)
	Discharge Cut-off Voltage	16V
Temperature	Charge Temperature	0°C-45°C(32°F-113°F)
	Discharge Temperature	-20°C-60°C(-4°F-140°F)
	Storage Temperature	0°C-40°C(32°F-104°F)

Outer dimensions (mm)



Terminal Type (mm)



Discharge Curves 25°C(77°F)

