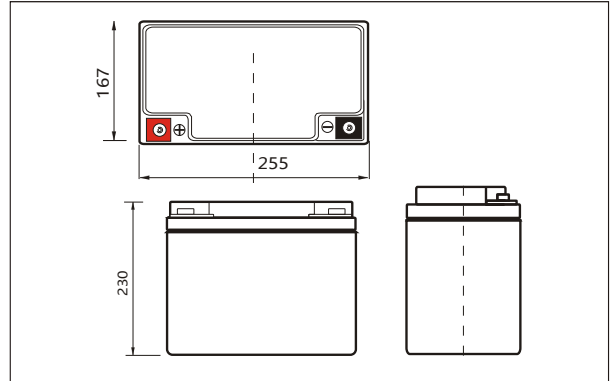


## Lithium Iron Phosphate (LiFePO4) Battery Specification

### SLAUMXLI80-12(12.8V80AH)



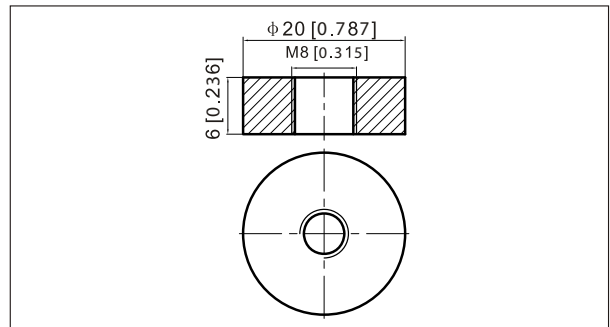
#### Outer dimensions (mm)



#### Specifications

Nominal Voltage	12.8V	
Rated capacity (20 hour rate)	80Ah	
Dimensions	Total Height	230 mm
	Height	230 mm
	Length	255 mm
	Width	167 mm
Weight Approx	10.2 Kg	
Terminal	M8	

#### Terminal Type (mm)



#### Characteristics

Capacity Retention	>80% at 28 days	
Cycle Life	>80% at 2000 Cycles	
1.5 hour discharge to 10.5V	3.00 A	
Internal Resistance	<20 mΩ	
Charge Characteristics	Charge Voltage	14.6±0.1V
	Charger Current	<80A
Discharge Characteristics	Max Continuous Current	80A
	Min Discharge Cut-off Voltage	10V
Temperature	Charge Temperature	0°C-45°C(32°F-113°F)
	Discharge Temperature	-20°C-60°C(-4°F-140°F)
	Storage Temperature	0°C-40°C(32°F-104°F)

#### Discharge Curves 25°C(77°F)

