

Lithium Iron Phosphate (LiFePO4) Battery Specification

SLAUMXLI7-12(12.8V7AH)



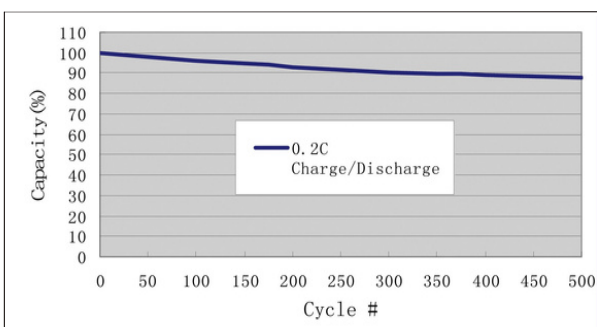
Specifications

Nominal Voltage	12.8V
Rated capacity (20hour rate)	7Ah
Total Height	100 mm (3.94inches)
Height	98 mm (3.70inches)
Dimensions	151 mm (5.95inches)
Width	65 mm (2.56inches)
Weight Approx	0.98 Kg
Terminal	T2

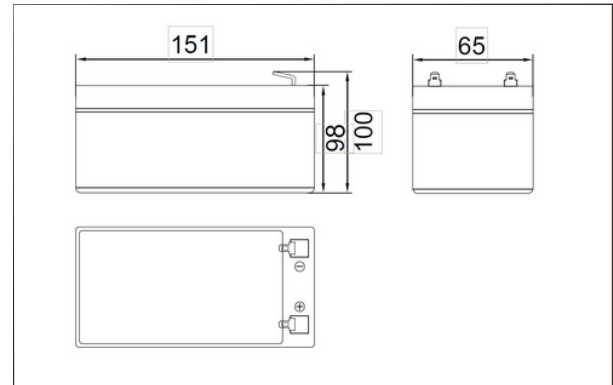
Characteristics

Capacity Retention	>80% at 28 days	
Cycle Life	>80% at 1500 Cycles	
1.5 hour discharge to 10.5V	2.80 A	
Internal Resistance	<60 mΩ	
Charge Characteristics	Charge Voltage	14.6±0.1V
	Charge Current	<7A
Discharge Characteristics	Continuous Current	7A
	Maximum Pulse Current	15A(<3s)
	Discharge Cut-off Voltage	10V
Temperature	Charge Temperature	0°C-45°C(32°F-113°F)
	Discharge Temperature	-20°C-60°C(-4°F-140°F)
	Storage Temperature	0°C-40°C(32°F-104°F)

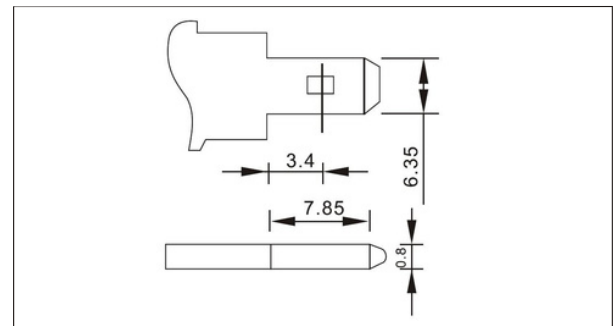
Cycle Life Characteristics



Outer dimensions (mm)



Terminal Type (mm)



Discharge Curves 25°C(77 °F)

