

Lithium Iron Phosphate (LiFePO4) Battery Specification

SLAUMXLI18-12(12.8V18AH)



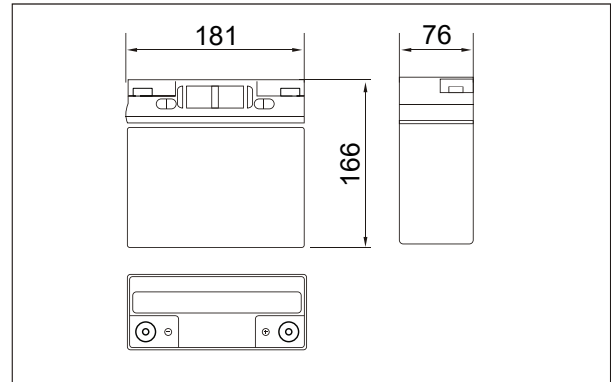
Specifications

Nominal Voltage		12.8V
Rated capacity (20 hour rate)		18Ah
Dimensions	Total Height	166 mm(6.54inches)
	Height	166 mm(6.54inches)
	Length	181 mm (7.13inches)
	Width	76 mm (2.99inches)
Weight Approx		2.70Kg (5.95lbs)
Terminal		T3

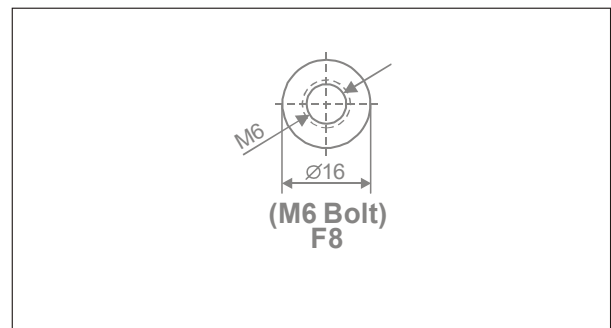
Characteristics

Capacity Retention	>80% at 28 days	
Cycle Life	>80% at 1500 Cycles	
1.5 hour discharge to 10.5V	8.0 A	
Internal Resistance	<60 mΩ	
Charge Characteristics	Charge Voltage	14.4±0.1V
	Charge Current	10A
Discharge Characteristics	Continuous Current	20A
	Discharge Cut-off Voltage	10V
Temperature	Charge Temperature	0°C-45°C(32°F-113°F)
	Discharge Temperature	-20°C-60°C(-4°F-140°F)
	Storage Temperature	0°C-40°C(32°F-104°F)

Outer dimensions (mm)



Terminal Type (mm)



Discharge Curves 25°C(77 °F)

