

Lithium Iron Phosphate (LiFePO4) Battery Specification

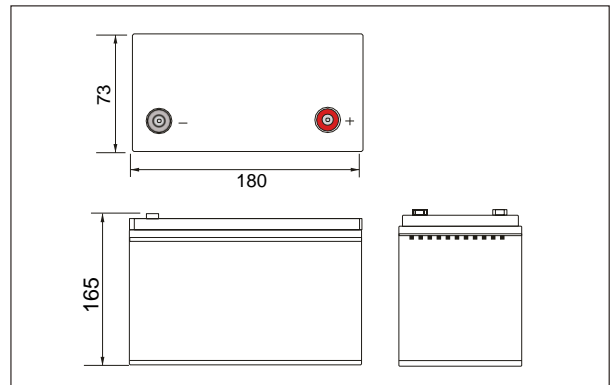
SLAUMXLI15-24 (25.6V15AH)



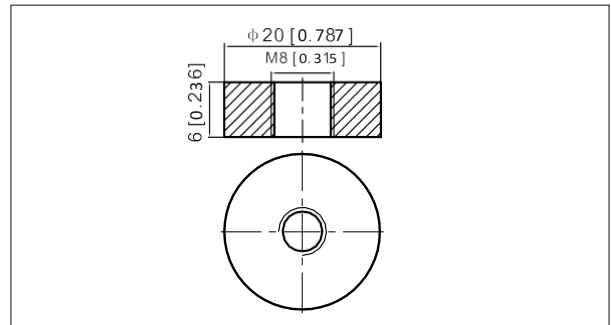
Specifications

Items	Standard	Remark
Nominal voltage	25.6V	
Typical capacity	15Ah	At 0.2C discharge rate
Max continuous discharge current	15A	
Peak discharge current	30A	1s
Over current protection	50A	10ms
Discharge cut-off voltage	20V	
Charge voltage	29.2±0.1V	Charge mode: CC/CV. Use a constant current, constant voltage(CC/CV) please use special lithium charger. DO NOT REVERSE!
Charge current	≤ 15A	
Inner resistance	≤ 10mΩ	Between positive and negative polar
Operation temperature range	Charge	0°C~+45°C
	Discharge	-20°C~+60°C When the environment temperature is higher than 45°C, please pay attention to ventilation and heat rejection.
Storage temperature range	0°C~40°C (Capacity 80%)	Recommended long-term storage temperature is 15~25°C
Humidity	5%≤RH≤85%	
Shell material	ABS plastic	
Weight	About: 2.56 Kgs	
Size (L*W*H)	180 * 73 * 165	
Protection function	Over charge protection, Over discharge protection, Over current protection, Balance function, Temperature protection	
Communication (optional)	N/A	

Outer dimensions (mm)



Terminal Type (mm)



Characteristics

5.1 Standard charge

Charge the battery with Lithium ion battery special test cabinet, supply 29.2V voltage, constant-current 0.2C(A) current until current down to 0.02C(A)

5.2 Standard discharge

Discharge the battery at 0.2C (A) to 20.0V or battery cut off voltage.

5.3 Electrical Performance

Test Items	Test Methods	Test Standards
Capacity retention rate	After standard charge under 5.1 specified conditions, store the cells for 28 days, then discharge at 0.2C (A) to cut-off voltage.	Capacity retention rate≥80%
Cycle Life	1. Standard charge at 0.2C (A) , 2. rest 0.5~1 h, 3. discharge at 0.2C to cut off voltage rest 0.5~1h, 4. repeat the above steps until 2000 cycles.	Capacity retention rate≥80%