

Lithium Iron Phosphate (LiFePO4) Battery Specification

SLAUMXLI12-12(12.8V12AH)



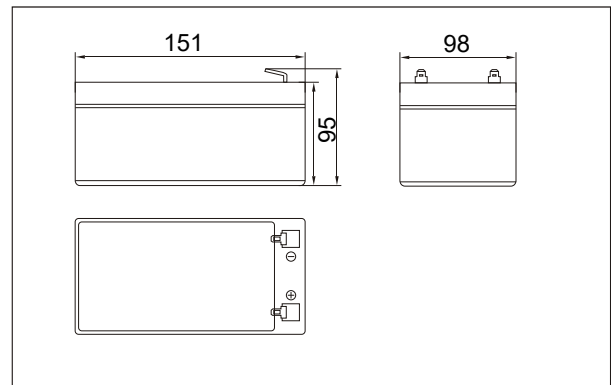
Specifications

Nominal Voltage		12.8V
Rated capacity (20 hour rate)		12Ah
Dimensions	Total Height	95 mm (3.74inches)
	Height	95 mm (3.74inches)
	Length	151 mm (5.95inches)
	Width	98 mm (3.86inches)
Weight Approx		1.7 Kg (3.75 lbs)
Terminal		T2

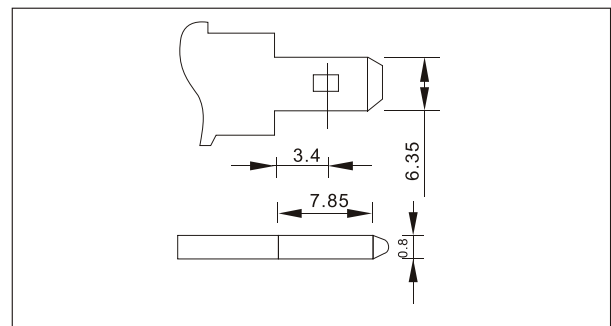
Characteristics

Capacity Retention		>80% at 28 days
Cycle Life		>80% at 1500 Cycles
1.5 hour discharge to 10.5V		3.00 A
Internal Resistance		<50 mΩ
Charge Characteristics	Charge Voltage	14.4±0.1V
	Charger Current	<4A
Discharge Characteristics	Continuous Current	15A
	Discharge Cut-off Voltage	10V
Temperature	Charge Temperature	0°C-45°C(32°F-113°F)
	Discharge Temperature	-20°C-60°C(-4°F-140°F)
	Storage Temperature	0°C-40°C(32°F-104°F)

Outer dimensions (mm)



Terminal Type (mm)



Discharge Curves 25°C(77°F)

