

Lithium Iron Phosphate (LiFePO4) Battery Specification

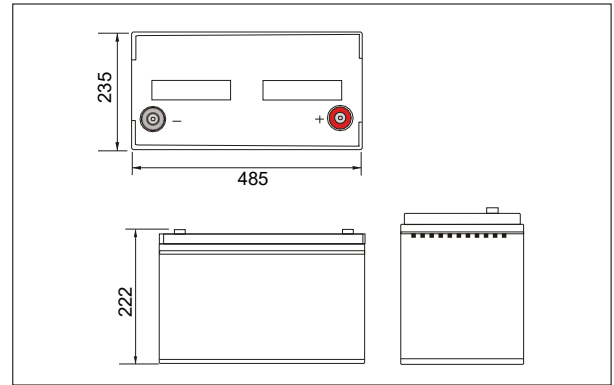
SLAUMXLI100-24PRI (25.6V100AH)



● Specifications

Items	Standard	Remark
Nominal voltage	25.6V	
Typical capacity	100Ah	At 0.2C discharge rate
Max continuous discharge current	100A	
Peak discharge current	300A	1s
Over current protection	500±20A	10ms
Discharge cut-off voltage	20V	
Charge voltage	29.2±0.1V	Charge mode: CC/CV, Use a constant current, constant voltage(CC/CV) please use special lithium charger. DO NOT REVERSE!
Charge current	≤ 100A	
Inner resistance	≤ 10mΩ	Between positive and negative polar
Operation temperature range	Charge	0°C~+45°C
	Discharge	-20°C~+60°C When the environment temperature is higher than 45°C, please pay attention to ventilation and heat rejection.
Storage temperature range	0°C~40°C (Capacity 80%)	Recommended long-term storage temperature is 15~25°C
Humidity	5%≤RH≤85%	
Shell material	ABS plastic	
Weight	About: 26Kgs	
Size (L*W*H)	485*235*222mm ±1mm	
Protection function	Over charge protection, Over discharge protection, Over current protection, Balance function, Temperature protection	
Communication (optional)	N/A	

● Outer dimensions (mm)



● Terminal Type (mm)

