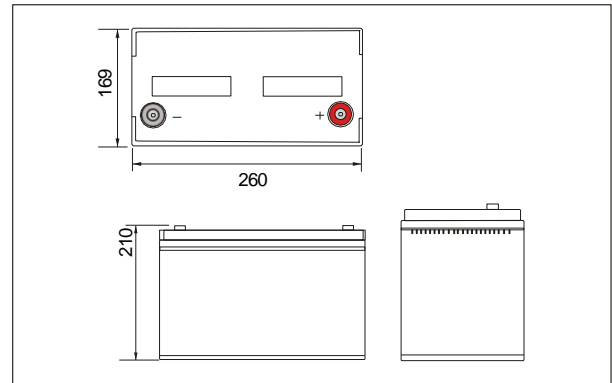


Lithium Iron Phosphate (LiFePO4) Battery Specification

SLAUMXLI100-12PRI (12.8V100AH)



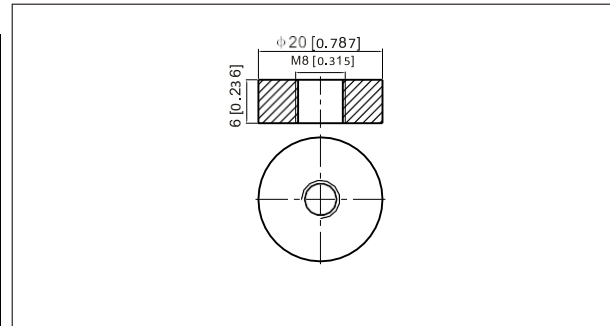
Outer dimensions (mm)



Characteristics

Nominal voltage	12.8V	
Typical capacity	100Ah	At 0.2C discharge rate
Max continuous discharge current	100A	
Peak discharge current	300A	1s
Over current protection	500±20A	10ms
Discharge cut-off voltage	8V	
Charge voltage	14.6±0.1V	Charge mode: CC/CV, Use a constant current, constant voltage(CC/CV) please use special lithium charger. DO NOT REVERSE!
Charge current	≤ 100A	
Inner resistance	≤ 10mΩ	Between positive and negative polar
Operation temperature range	Charge	0°C~+45°C
	Discharge	-20°C~+60°C When the environment temperature is higher than 45°C, please pay attention to ventilation and heat rejection.
Storage temperature range	0°C~40°C (Capacity 80%)	Recommended long-term storage temperature is 15~25°C
Humidity	5%≤RH≤85%	
Shell material	ABS plastic	
Weight	About: 10.5Kg	
Size (L*W*H)	260*169*210mm ±1mm	

Terminal Type (mm)



Specifications

