

ULTRA MAX[®]

Sealed Lead Acid Rechargeable Battery Product Specification

SLAUMXNP75-12 (12V75AH)



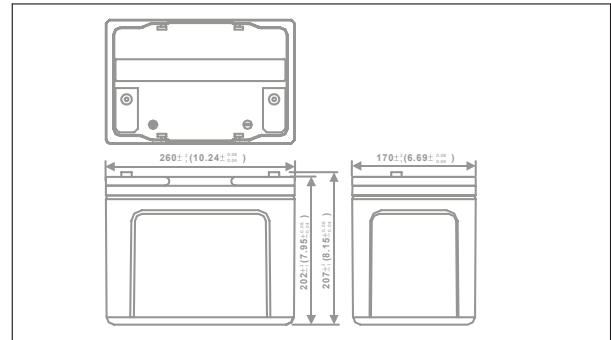
Specifications

Nominal Voltage		12V
Rated capacity (20 hour rate)		75 Ah
Dimensions	Total Height	207mm (8.15 inches)
	Height	202mm (7.95 inches)
	Length	260 mm (10.2 inches)
	Width	170mm (6.69 inches)
Weight Approx		24.2 Kg (53.3 lbs)

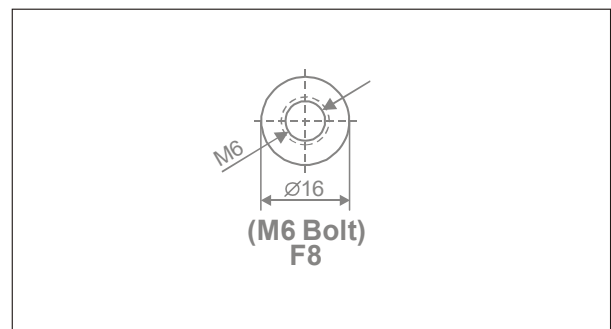
Characteristics

Capacity 25°C(77°F)	20 hour rate(4.08 A)	75.0 AH
	10 hour rate(7.53 A)	70.0AH
	5 hour rate(12.8A)	63.8AH
	1 hour rate(45.0A)	47.5AH
	1.5 hour discharge to 10.5V	30.0 A
Internal Resistance	Full charged Battery at 25°C(77°F)	5 m Ω
Capacity affected by Temperature (20hour rate)	40°C(104°F)	102%
	25°C(77°F)	100%
	0°C(32°F)	85%
	-15°C(5°F)	71%
Self-Discharge at 25°C(77°F)	Capacity after 3 month storage	94%
	Capacity after 6 month storage	85%
	Capacity after 12 month storage	62%
Terminal		F8
Charge (constant Voltage)	Cycle	Maximum Charging Current 22.5 A Voltage 14.40-15.00V
	Float	Voltage 13.50-13.80V

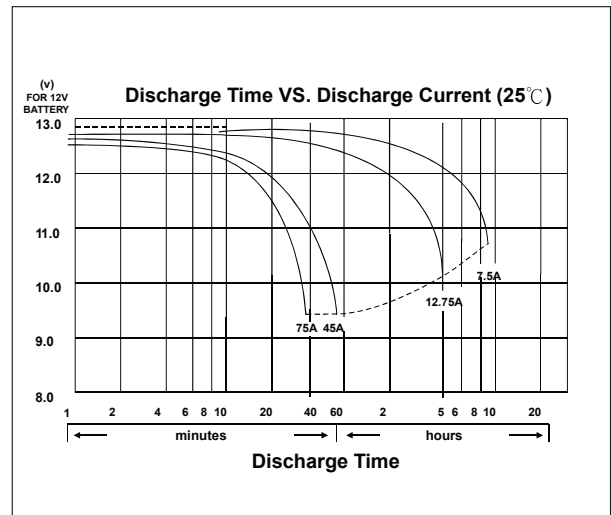
Outer dimensions (mm)



Terminal Type (mm)



Discharge Curves 25 °C(77 °F)



Constant Current(Amp) and Constant Power(Watt) Discharge Table at 25 °C(77 °F)

Time		5 Min	10 Min	15 Min	30 Min	1hr	2Hr	3Hr	4Hr	5Hr	10Hr	20Hr
9.60V	A	304	207	150	89	46.7	26.3	20.4	16.2	14.1	7.85	4.08
	W	3402	2328	1764	990	553.8	325.8	232.8	187.2	159	93.6	49.68
10.20V	A	272	186	138	84.5	44.8	25	19.3	15.3	13.4	7.74	4.02
	W	3126	2142	1644	954	538.8	316.2	226.2	181.8	156	93	48.9
10.50V	A	245	167	124	79.4	43.3	23.9	18.4	14.7	13.1	7.69	3.98
	W	2946	2016	1440	930	526.8	307.8	220.8	178.2	154.2	91.8	48.42
10.80V	A	214	143	109	72.6	41.5	22.4	17.4	13.9	12.6	7.62	3.93
	W	2574	1764	1350	894	511.8	298.8	214.8	172.8	151.8	91.2	47.82
11.10V	A	178	112	90.5	63.2	38.6	20.2	15.8	12.9	11.8	7.53	3.87
	W	2442	1668	1068	834	484.8	283.2	204	166.8	148.8	90	47.1