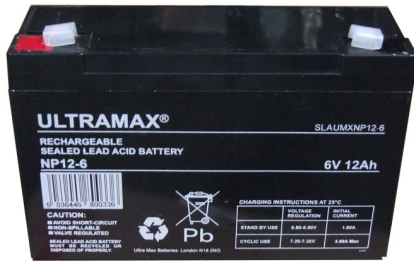


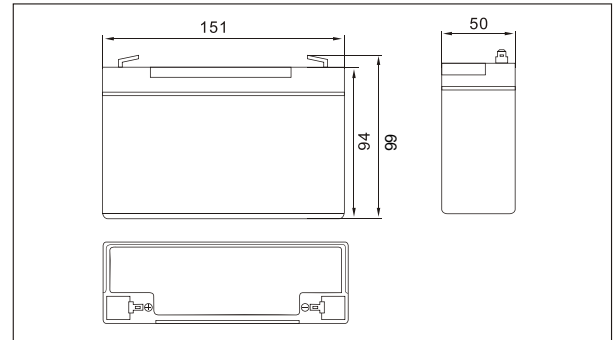
ULTRA MAX®

Sealed Lead Acid Rechargeable Battery Product Specification

SLAUMXNP12-6 (6V12AH)



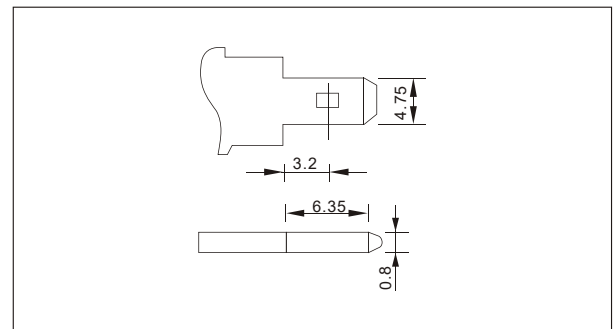
Outer dimensions (mm)



Specifications

Nominal Voltage		6V
Rated capacity (20 hour rate)		12 Ah
Dimensions	Total Height	99 mm (3.90 inches)
	Height	94 mm (3.70 inches)
	Length	151 mm (5.94 inches)
	Width	50 mm (1.97 inches)
Weight Approx		1.97 Kg (4.33 lbs)

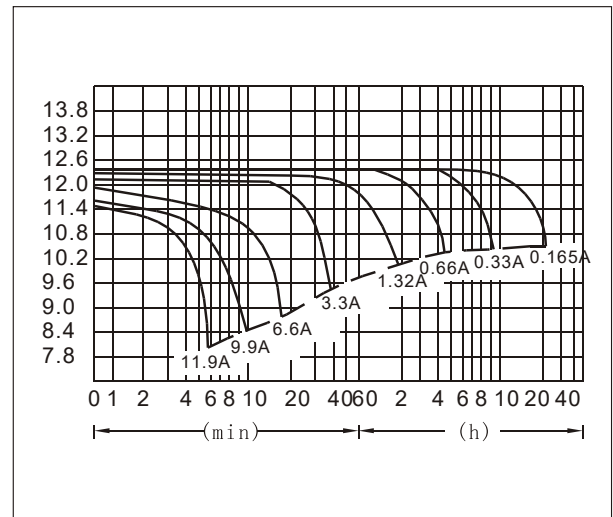
Terminal Type (mm)



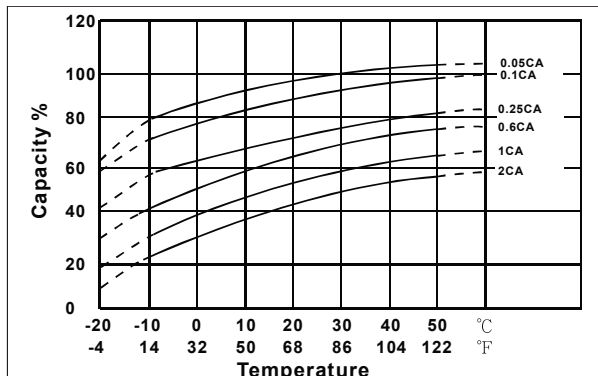
Characteristics

Capacity 25°C(77°F)	20 hour rate(0.60 A)	12.0 AH
	10 hour rate(1.20 A)	11.4AH
	5 hour rate(2.04A)	10.2AH
	1 hour rate(1.98A)	1.98AH
	1.5 hour discharge to 10.5V	1.32 A
Internal Resistance	Full charged Battery at 25°C(77°F)	50 mΩ
Capacity affected by Temperature (20hour rate)	40°C(104°F)	102%
	25°C(77°F)	100%
	0°C(32°F)	85%
	-15°C(5°F)	65%
Self-Discharge at 25°C(77°F)	Capacity after 3 month storage	91%
	Capacity after 6 month storage	82%
	Capacity after 12 month storage	64%
Terminal		T1
Charge (constant Voltage)	Cycle	Initial Charging Current less than 1.32 A Voltage 14.40-14.70V
	Float	Voltage 13.50-13.80V

Discharge Curves 25 °C(77 °F)



Effect of Temperature on Capacity 25°C (75°F)



Capacity Retention

